

**MONTIGO**<sup>®</sup>

# DIVINE SINGLE SIDED

H34DF

HLB34DF

HLB34DF-2

H38DF

HL38DF

HW38DF-2

H42DF

HL42DF

HW42DF-2

H36PV

DIVINE / PROUDLY HANDCRAFTED IN NORTH AMERICA

DIVINE / LEGACY H SERIES



# THE MOST VERSA IN THE INDUS

DIVINE  
SINGLE SIDED

DIVINE / PROUDLY HANDCRAFTED IN NORTH AMERICA

## H34, HLB34, HLB34 Deluxe

Single sided  
Direct vent

### QUICK DIMENSIONS

| H*34    | UNIT  | FRAM.                          |
|---------|---|--------------------------------|
| F.WIDTH | 35 <sup>3</sup> / <sub>8</sub>                                  | 33 <sup>3</sup> / <sub>8</sub> |
| B.WIDTH | 35 <sup>3</sup> / <sub>8</sub>                                  | 33 <sup>3</sup> / <sub>8</sub> |
| HEIGHT  | 35 <sup>1</sup> / <sub>8</sub>                                  | 39                             |
| DEPTH   | 19 <sup>1</sup> / <sub>4</sub>                                  | 20                             |
| VIEWING | 31 <sup>3</sup> / <sub>8</sub> × 22 <sup>3</sup> / <sub>4</sub> |                                |

#### H34 TRADITIONAL

##### Standard

Traditional burner and logset

Manual Hi-Lo flame control

##### Options

Traditional liners

River rock [NG only]

Fans with speed control

Surrounds in satin black or stainless steel

Remote control

#### HLB34 CONTEMPORARY

##### Standard

Concealed burner with Ice fireglass

Manual Hi-Lo flame control

##### Options

Speckled stones, glass media

Multi-function remote control

Remote controlled fans

Black reflective glass

Surrounds in satin black or stainless steel

#### HLB34-2 DELUXE CONTEMPORARY

##### Standard

Concealed burner

Speckled stones, driftwood

Multi-function remote control

Remote controlled fans

Remote Hi-Lo flame control

Black reflective glass

##### Options

Wall remote

Surrounds in satin black or stainless steel

### BTU LISTING

H34DF\*\* / 18,000  
HLB34DF\*\* / 18,000  
HLB34DF\*\*-2 / 18,000

### EFFICIENCY

H34DFN / FE 56.5  
H34DFL / FE 58

H34DFNI / FE 58  
H34DFLI / FE 58

HLB34DFNI / FE 50  
HLB34DFLI / FE 50

HLB34DFNI-2 / FE 50  
HLB34DFLI-2 / FE 50



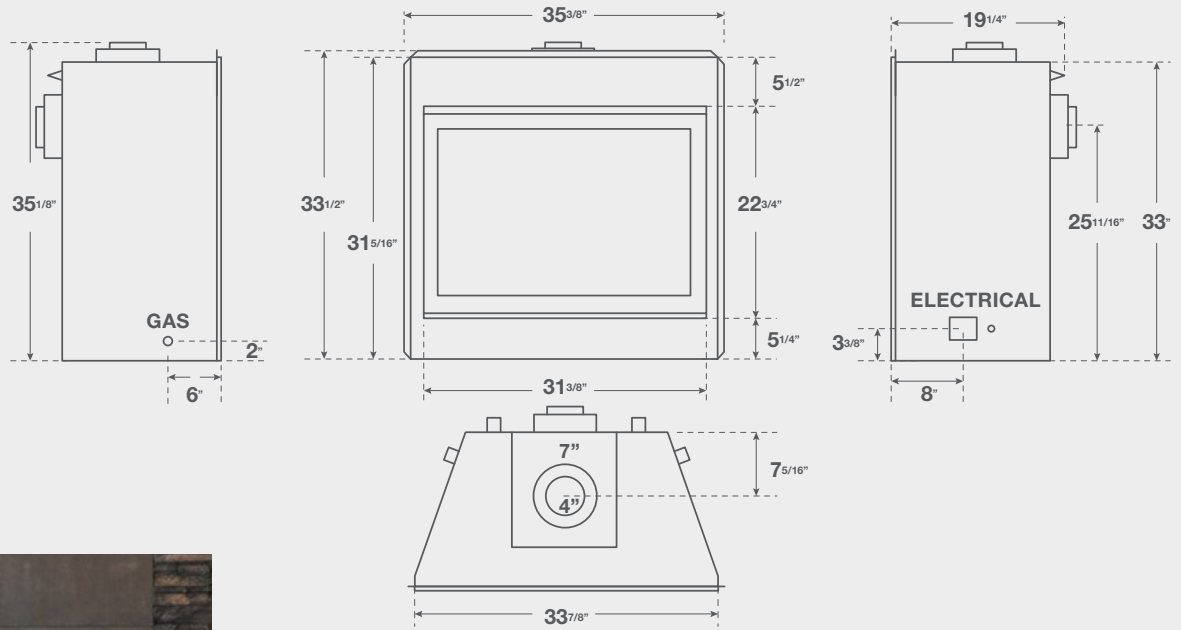


MONTIGO / STAINLESS SURROUND



MONTIGO / SATIN BLACK SURROUND

### H34 DIMENSIONS



# TILE STRY



MONTIGO / DIVINE / HLB34DFNI-2 / DRIFTWOOD SPECKLED STONES



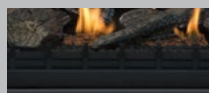
MONTIGO / DIVINE / H34DFN / TRADITIONAL LOGSET



REMOTE<sup>†</sup>  
RX200\*\*



WALL REMOTE  
REC1493



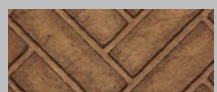
IRON GRATE<sup>†</sup>  
HWIG34



RIVER ROCK<sup>†</sup>  
RBHR34R

† Optional for H34 only  
‡ Optional for HLB34 only  
▲ Standard on HLB34DF\*1-2

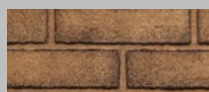
LINERS



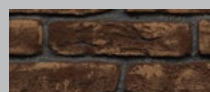
HERRING BONE<sup>†</sup>  
HBK34H



COLONIAL<sup>†</sup>  
HBK34SHC



HERITAGE<sup>†</sup>  
HBK34SHR



RUSTIC BROWN<sup>†</sup>  
HBK34SRB



RUSTIC RED<sup>†</sup>  
HBK34SRR



BLACK GLASS<sup>†▲</sup>  
RGPH34



### Features

Convertible to top or rear flue vent

Hi-Lo control to adjust flame level

# THE MOST VERSA IN THE INDUS

DIVINE  
SINGLE SIDED

DIVINE / PROUDLY HANDCRAFTED IN NORTH AMERICA

## H38, HL38, HW38 Wildfire

Single sided  
Direct vent

### QUICK DIMENSIONS

| H*38    | UNIT FRAM.   |                                |
|---------|--|--------------------------------|
| F.WIDTH | 39 <sup>5</sup> / <sub>16</sub>                                  | 37 <sup>3</sup> / <sub>4</sub> |
| B.WIDTH | 24 <sup>7</sup> / <sub>16</sub>                                  | 37 <sup>3</sup> / <sub>4</sub> |
| HEIGHT  | 38 <sup>5</sup> / <sub>16</sub>                                  | 42                             |
| DEPTH   | 18 <sup>1</sup> / <sub>4</sub>                                   | 21 <sup>1</sup> / <sub>2</sub> |
| VIEWING | 35 <sup>1</sup> / <sub>4</sub> x 26 <sup>5</sup> / <sub>16</sub> |                                |

#### H38 TRADITIONAL

##### Standard

Traditional burner and logset

Manual Hi-Lo flame control

##### Options

Traditional liners

River rocks [NG only]

Fans with speed control

Surrounds in satin black or stainless steel

Multi-function remote control

#### HL38 CONTEMPORARY

##### Standard

Contemporary burner with Ice fireglass

Manual Hi-Lo flame control

##### Options

Speckled stones, glass media

Fans with speed control

Surrounds in satin black or stainless steel

Multi-function remote control

#### HW38-2 DELUXE WILDFIRE

##### Standard

Wildfire burner and logset

Herringbone brick liner

Wrought iron grate

Multi-function remote control

Battery backup

Remote Hi-Lo flame control

##### Options

Fans with speed control

Wall remote

Black porcelain liner

Surrounds in satin black or stainless steel

### BTU LISTING

H38DF\*\* / 26,000  
HL38DF\*\* / 25,000  
HW38DFN\*-2 / 34,000  
HW38DFL\*-2 / 30,000

### EFFICIENCY

H38DFN / FE 55  
H38DFL / FE 55  
H38DFNI / FE 56

H38DFLI / FE 56  
HL38DFN / FE 55  
HL38DFL / FE 54

HL38DFNI / FE 56  
HL38DFLI / FE 55

HW38DFNI-2 / FE 64  
HW38DFLI-2 / FE 65





TILE  
STRY

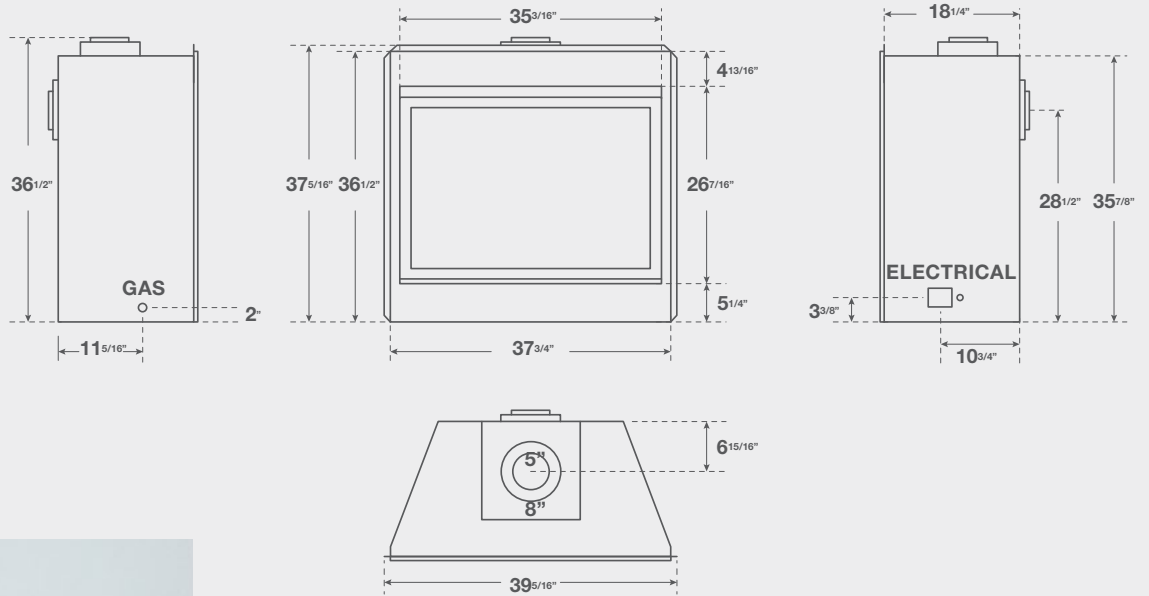


MONTIGO / STAINLESS SURROUND



MONTIGO / SATIN BLACK SURROUND

**H38 DIMENSIONS**



MONTIGO / DIVINE / HL38DFNI / SAGE FIREBEADS

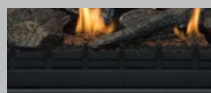
MONTIGO / DIVINE / H38 / TRADITIONAL LOGSET



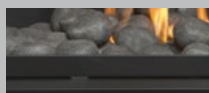
REMOTE<sup>A</sup>  
RX100\*\*



WALL REMOTE  
REC1493



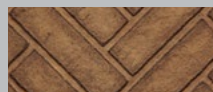
IRON GRATE<sup>†</sup>  
HWIG38



RIVER ROCK<sup>†</sup>  
RBHR38R

<sup>†</sup>Optional for H38 only  
<sup>‡</sup>Not available for HW38  
<sup>§</sup>Optional for HW38 only  
<sup>^</sup>Standard on HW38DF\*1-2

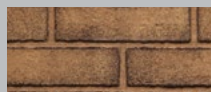
LINERS



HERRING BONE<sup>†^</sup>  
HBK38H



COLONIAL<sup>†</sup>  
HBK38SHC



HERITAGE<sup>†</sup>  
HBK38SHR



BLACK GLASS<sup>†</sup>  
RGPH38



BLACK PORCELAIN<sup>§</sup>  
PPHW38

DIVINE / PROUDLY HANDCRAFTED IN NORTH AMERICA



**Features**

Convertible to top or rear flue vent

Hi-Lo control to adjust flame level

# THE MOST VERSA IN THE INDUS

**DIVINE**  
SINGLE SIDED

**H42  
TRADITIONAL**

**HL42  
CONTEMPORARY**

**HW42-2 DELUXE  
WILDFIRE**

## H42, HL42, HW42 Wildfire

Single sided  
Direct vent

**QUICK DIMENSIONS**

| H*42    | UNIT   | FRAM.                           |
|---------|--|---------------------------------|
| F.WIDTH | 43 <sup>3</sup> / <sub>16</sub>                                  | 42                              |
| B.WIDTH | 28 <sup>3</sup> / <sub>16</sub>                                  | 42                              |
| HEIGHT  | 41 <sup>1</sup> / <sub>16</sub>                                  | 46 <sup>1</sup> / <sub>2</sub>  |
| DEPTH   | 20 <sup>3</sup> / <sub>16</sub>                                  | 21 <sup>1</sup> / <sub>16</sub> |
| VIEWING | 39 <sup>1</sup> / <sub>2</sub> x 28 <sup>3</sup> / <sub>16</sub> |                                 |

**Standard**

Traditional burner and logset

Manual Hi-Lo flame control

**Options**

Traditional liners

River rocks [NG only]

Fans with speed control

Surrounds in satin black or stainless steel

Multi-function remote control

**Standard**

Contemporary burner with Ice fireglass

Manual Hi-Lo flame control

**Options**

Speckled stones, glass media

Fans with speed control

Surrounds in satin black or stainless steel

Multi-function remote control

**Standard**

Wildfire burner and logset

Herringbone brick liner

Wrought iron grate

Multi-function remote control

Battery backup

Remote Hi-Lo flame control

**Options**

Fans with speed control

Wall remote

Black reflective glass

Surrounds in satin black or stainless steel

**BTU LISTING**

H42DFN\* / 34,000  
H42DFL\* / 32,000  
HL42DFNI / 34,000

**EFFICIENCY**

HL42DFLI / 32,000  
HW42DFNI-2 / 34,000

H42DFN / FE 59  
H42DFL / FE 59

H42DFLI / FE 60.6  
H42DFNI / FE 60.6



H42 / STAINLESS SURROUND

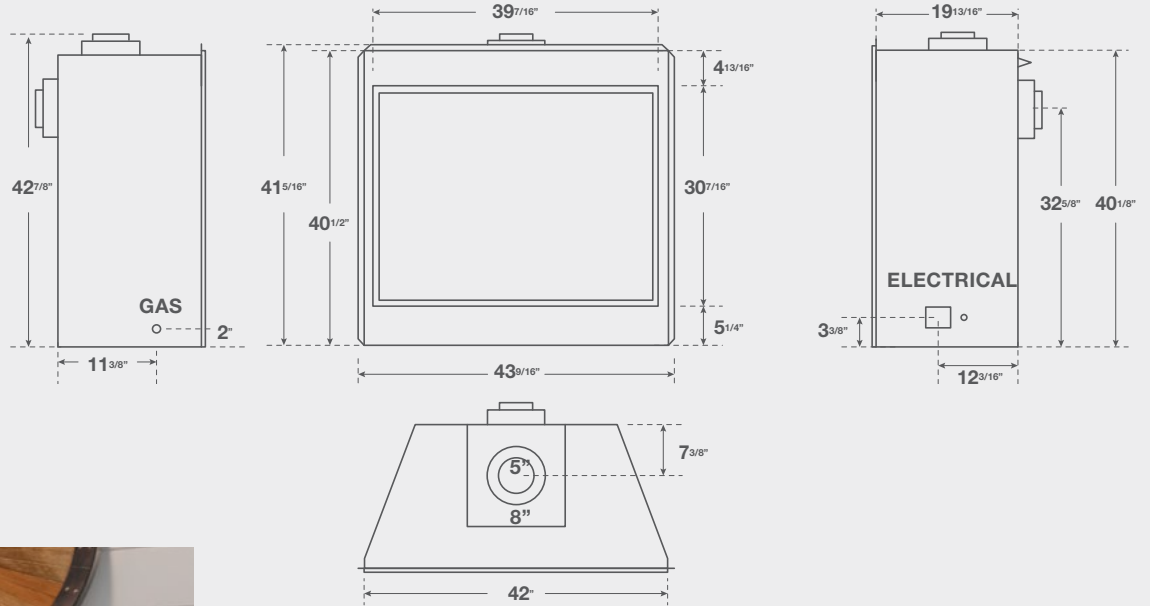


HL42 / SATIN BLACK SURROUND



TILE  
STRY

### H42 DIMENSIONS



MONTIGO / DIVINE / HL42 / RIVER ROCKS



MONTIGO / DIVINE / HW42 / TRADITIONAL LOGSET

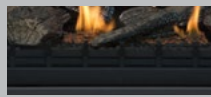
OPTIONS & FEATURES



REMOTE<sup>Δ</sup>  
RX100\*\*



WALL REMOTE  
REC1493



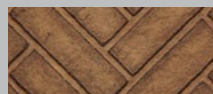
IRON GRATE<sup>†Δ</sup>  
HWIG42



RIVER ROCK<sup>†</sup>  
RBHR42R

<sup>†</sup>Optional for H42 only  
<sup>Δ</sup>Standard on HW42DF<sup>†</sup>-1-2

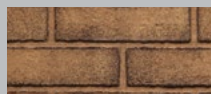
LINERS



HERRING BONE<sup>†Δ</sup>  
HBK42H



COLONIAL<sup>†</sup>  
HBK42C



HERITAGE<sup>†</sup>  
HBK42R



BLACK GLASS  
RGPH42



# THE CROWD PLEASER

DIVINE  
SINGLE SIDED

DIVINE / PROUDLY HANDCRAFTED IN NORTH AMERICA

**H36PV**

Single sided  
Power vented

**H36PV  
TRADITIONAL**

**Standard**

Flush floor burner  
and logset

Herringbone liner

Wrought iron grate

Manual Hi-Lo  
flame control

**Options**

Remote control on/off

**H36PV  
POWER VENTS**

**Wall Mount**

EDVWSPV58

**Flush Wall Mount**

PVHIN58-300

**Roof Mount**

PVEX58-200

**QUICK DIMENSIONS**

| H36     | UNIT      | FRAM. |
|---------|-----------|-------|
| F.WIDTH | 50        | 46    |
| B.WIDTH | 32¼       | 46    |
| HEIGHT  | 41⅞       | 50    |
| DEPTH   | 25¼       | 24    |
| VIEWING | 38½ x 31½ |       |

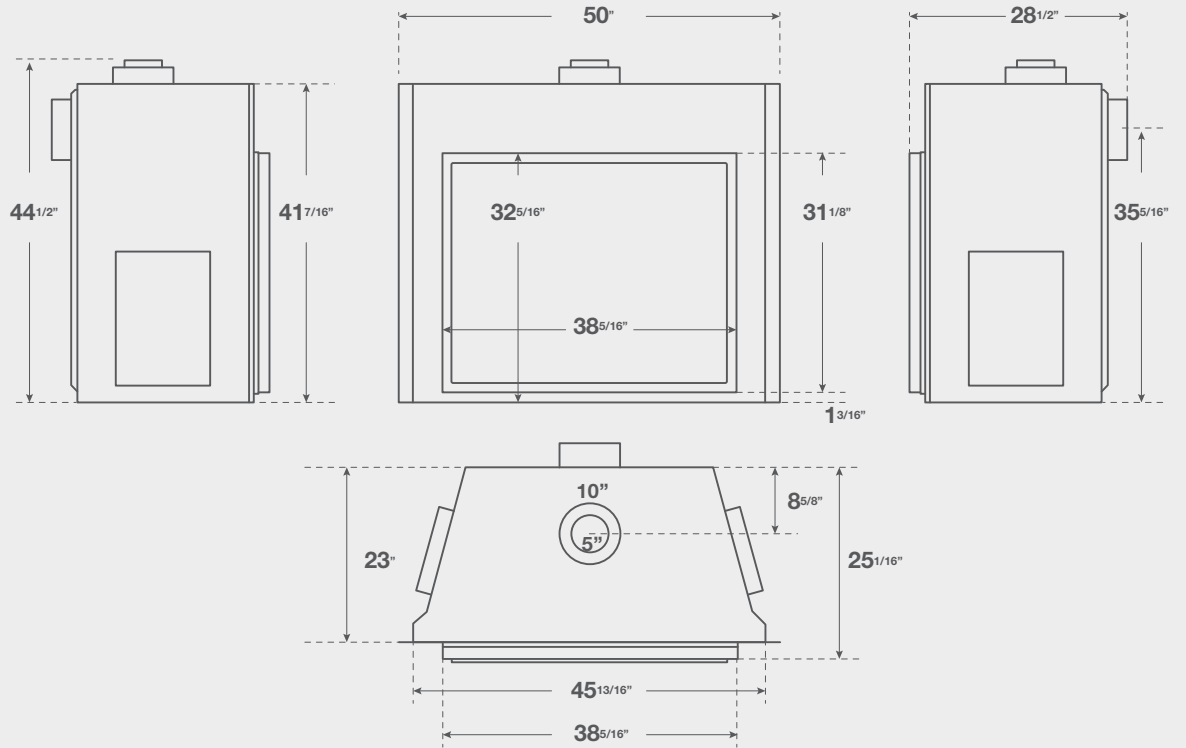
**BTU LISTING**  
H36PVNI / 55,000



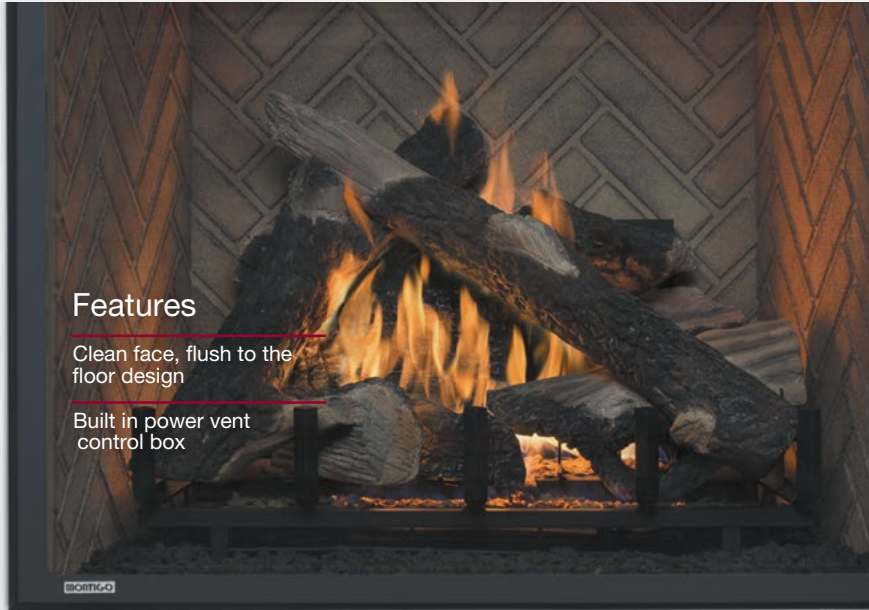




### H36 DIMENSIONS



MONTIGO / DIVINE / H36 / TRADITIONAL LOGSET



### Features

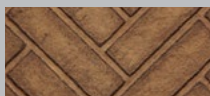
Clean face, flush to the floor design

Built in power vent control box

OPTIONS & FEATURES



REMOTE ON/OFF  
RXM40VAC



HERRING BONE<sup>Δ</sup>



IRON GRATE<sup>Δ</sup>

<sup>Δ</sup> Standard on H36PVNI

RIVER ROCKS  
RBHR

COPPER  
HW1143

AMBER  
HW1261

ICE  
HW1157

GLACIER  
HW1219B

PLATINUM  
HW1144

ALABASTER  
HW1260

OBSIDIAN  
HW1113

ONYX  
HW1259

# MEDIA

FROST  
HW1112

QUARTZ  
HW1106

EBONY  
HW1091

DRIFTWOOD  
LGS\*\*\*

SPECKLED STONES  
SS\*\*\*

# Unit Specifications

## Icon Legend

AVAILABLE +

NOT AVAILABLE -

DEDICATED ◊

STANDARD ○

|            | BTU Natural Gas | BTU Liquid Propane | Venting | Clearance Top - Rear vent | Clearance Top - Top vent | Clearance Sides | Clearance Back | Clearance Floor | Front viewing area | Front glass type | Standard media | Invisimesh screen | Powervent | Remote control | Fans | Uplighting | Downlighting |
|------------|-----------------|--------------------|---------|---------------------------|--------------------------|-----------------|----------------|-----------------|--------------------|------------------|----------------|-------------------|-----------|----------------|------|------------|--------------|
| H34DF*     | 18,000          | 18,000             | 4"/7"   | 9                         | 17½                      | 1               | 2              | 0               | 31⅜x22¾            | Tempered         | Traditional    | ○                 | +         | ○              | ○    | -          | -            |
| HLB34DF*   | 18,000          | 18,000             | 4"/7"   | 11                        | 17½                      | 1               | 2              | 0               | 31⅜x22¾            | Tempered         | HW1157         | ○                 | +         | +              | +    | -          | -            |
| HLB34DF*-2 | 18,000          | 18,000             | 4"/7"   | 11                        | 17½                      | 1               | 2              | 0               | 31⅜x22¾            | Tempered         | Speckled       | ○                 | +         | ○              | ○    | -          | -            |
| H38DF*     | 26,000          | 26,000             | 5"/8"   | 9                         | 17½                      | 1               | 2              | 0               | 35¼x26¾            | Tempered         | Traditional    | ○                 | +         | +              | +    | -          | -            |
| HL38DF     | 26,000          | 26,000             | 5"/8"   | 9                         | 17½                      | 1               | 2              | 0               | 35¼x26¾            | Tempered         | HW1157         | ○                 | +         | +              | +    | -          | -            |
| HW38DF     | 34,000          | 30,000             | 5"/8"   | 9                         | 17½                      | 1               | 3              | 0               | 35¼x26¾            | Neoceramic       | Wildfire       | ○                 | +         | ○              | +    | -          | -            |
| H42DF*     | 34,000          | 32,000             | 5"/8"   | 9                         | 17½                      | 1               | 1              | 0               | 39⅞x30⅞            | Tempered         | Traditional    | ○                 | +         | +              | +    | -          | -            |
| HL42DF     | 34,000          | 32,000             | 5"/8"   | 9                         | 17½                      | 1               | 1              | 0               | 39⅞x30⅞            | Tempered         | HW1157         | ○                 | +         | +              | +    | -          | -            |
| HW42DF     | 34,000          | 32,000             | 5"/8"   | 9                         | 17½                      | 1               | 1              | 0               | 39⅞x30⅞            | Tempered         | Wildfire       | ○                 | +         | ○              | +    | -          | -            |
| H36PV      | 55,000          | N/A                | 5"/8"   | 9                         | 17½                      | 1               | 1              | 0               | 38½x31½            | Tempered         | Traditional    | ○                 | ◊         | -              | -    | -          | -            |

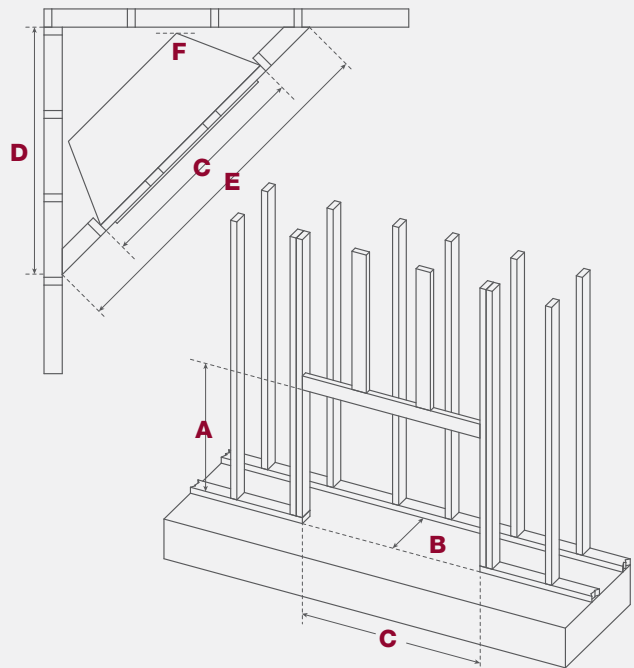
## DIVINE FRAMING

|     | A   | B   | C   | D   | E   | F |
|-----|-----|-----|-----|-----|-----|---|
| H34 | 39  | 20  | 33⅞ | 40  | 56¼ | 0 |
| H36 | 50  | 24  | 46  | 61¼ | 81  | 1 |
| H38 | 42  | 21⅞ | 37¾ | 43⅞ | 62  | 0 |
| H42 | 46½ | 21⅞ | 42  | 48⅞ | 68  | 0 |

See instruction manual for detailed instructions

Header on edge not required if framing meets clearance to venting

## FRAMING DIMENSIONS



## 1976: The Days Before Gas Fireplaces

In 1976, Montigo president and founder, Dan Binzer, started installing zero-clearance wood burning fireplaces for local builders in Vancouver, BC. Over the years, demand grew for a gas alternative, and Dan engineered and manufactured the first ever sandpan logset. The logset was installed in a zero-clearance wood burning fireplaces shell, resulting in one of the first zero-clearance gas fireplaces on the market.

## 1985: Gas Fireplace Manufacturing Begins

Demand for gas grew rapidly, especially among multi-unit developments so Dan Binzer started a company called Canadian Heating that would offer full service design, engineering and manufacturing for gas fireplaces. Under the Montigo brand, Canadian Heating began manufacturing and selling a wide selection of zero-clearance gas fireplaces throughout Canada and in 1985 development began for the latest and greatest in gas fireplace technology – direct venting.

## 1994: Manufacturing Excellence is Achieved

Development and advancement of the gas fireplace continued over the years with continual developments to improve the efficiency of the fireplaces and perfected manufacturing processes to deliver an optimum fireplace each and every time – even for completely custom units.

## Present: Leading the Way with Modern Fireplace Design

As one of the first to bring a linear designed fireplace to market, Montigo now offers the largest selection of linear fireplaces demanded by designers, architects and homeowners wanting to create a modern and contemporary space and homeowners wanting to create a modern and contemporary space.

### **WARNING**

Some materials used in the manufacturing process of this product can expose you to Benzene which is known in the State of California to cause cancer and birth defects or other reproductive harm. For more information go to [www.P65warnings.ca.gov](http://www.P65warnings.ca.gov)

for more inspiration go to  
[www.montigo.com](http://www.montigo.com)

**MONTIGO**<sup>®</sup>  
the art of **fireplaces**



## Our Guarantee

Montigo<sup>®</sup> stands behind the craftsmanship and durability of our products by providing a 15 year warranty on the burner and firebox in all our residential fireplaces. All made using steel milled in the United States.



Printed in Canada

XB2212